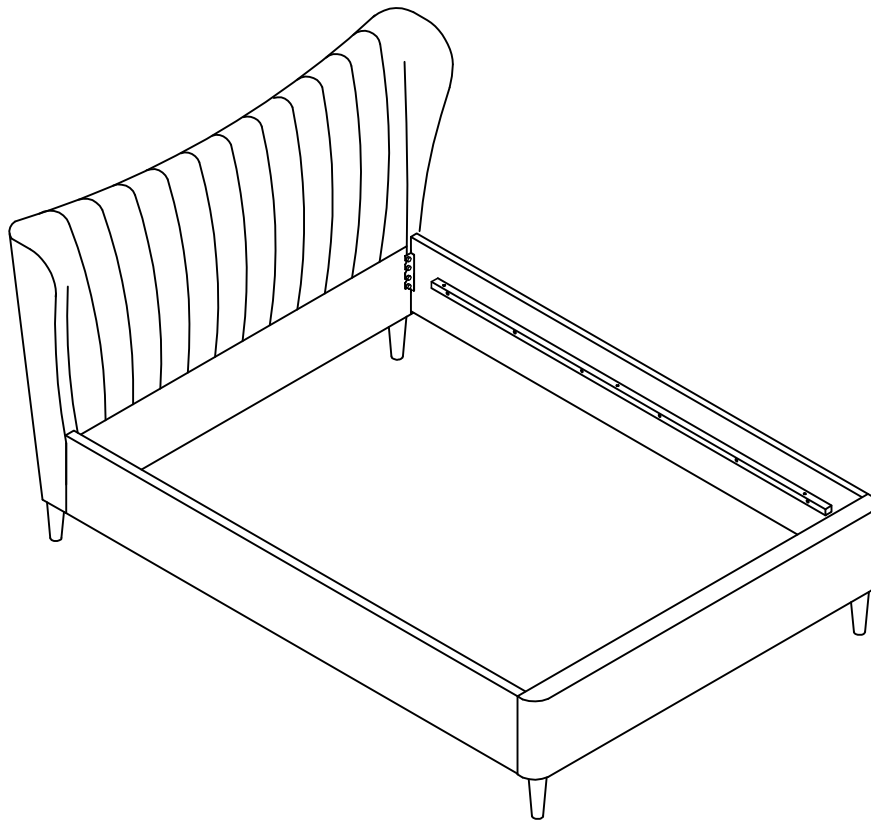


Bethany Bed

Double
King
SuperKing



1 hour approx
assembly time



Two person
assembly

feather&black

Thank you

Hello, thanks for choosing to purchase your bed from us. - you're now on your way to your best ever night's sleep. Before you begin building your bed, please take a moment to read through the instructions and make sure that you've got all the relevant parts listed on the following pages.



Assembly tips

Before you begin, it's best to identify all parts and fittings to build your bed. We advise laying these out on the floor to check you have everything, and familiarising yourself before building.



Top tip

We recommend that you build your new bed in the room you'd like it to be located - this will help prevent any risk of damage to your newly built bed whilst moving it.



Safety and care

It's really important to ensure children and animals are kept away from the assembly area, as there are small components used in this bed which could present a choking hazard. All plastic and wrapping materials should also be kept away from children and animals to prevent any risk of suffocation. To keep your little ones busy, there is a colouring page inside the back cover.



Help and support

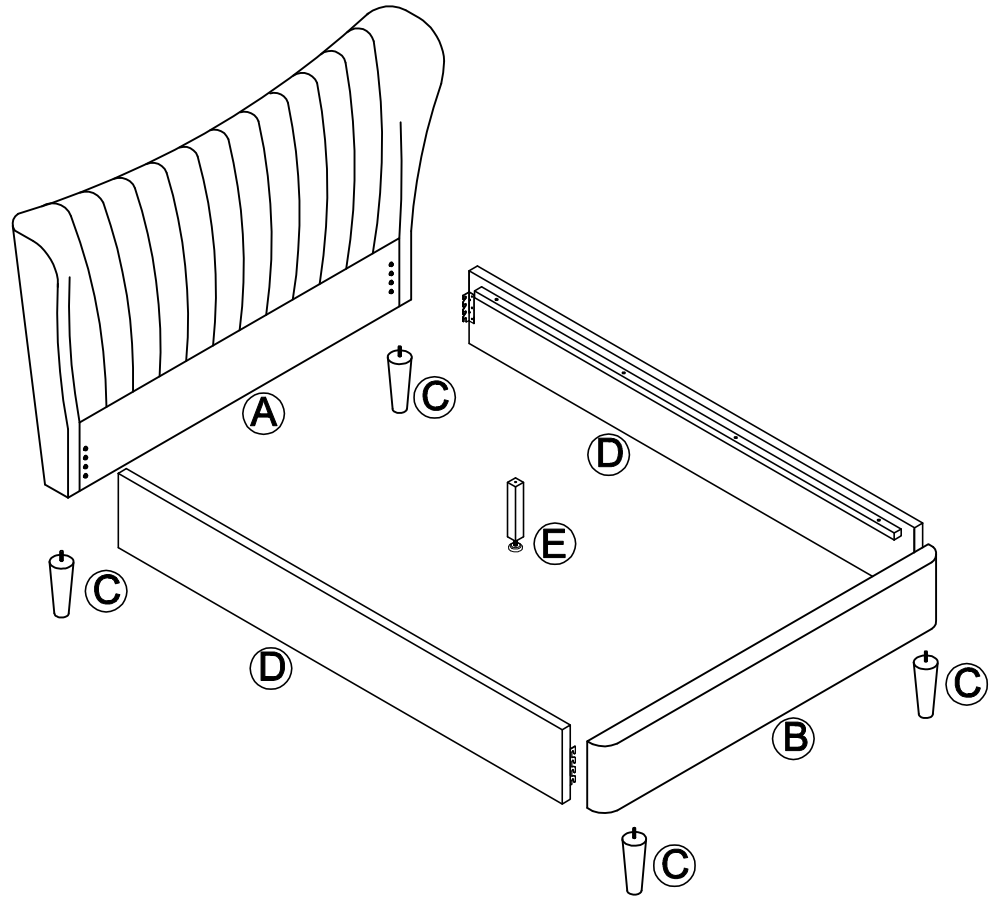
At Feather& Black, it's our mission to give the whole nation a great night's sleep this means that the quality of products is of utmost importance to us. If there are any issues with your products or any missing parts, please contact our HELP CENTRE on 01243 380 600 where a member of our team will be happy to help.



Recycling

Please ensure that packaging is disposed of in a safe and environmentally friendly way, and recycle where possible. Our assembly instructions are printed on recycled paper. Please keep your assembly instructions safe to refer back to in the future.

Parts

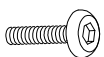
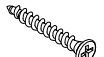
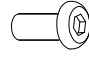








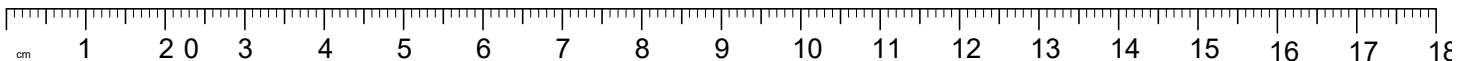
Parts List

A. Headboard	1	D. Side Rails	4
B. Footboard	1	E. Support Leg	4
C. Wooden Feet	4		

Fittings

Please check have all the parts listed below with your product:

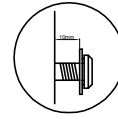
<p>a x6</p>  <p>Bolts(M6 35mm)for Wood Slats to Side Rails</p>	<p>b x1</p>  <p>Screw(M3 35mm)for Support Leg to Wood Slats</p>	<p>c x6</p>  <p>Nuts(M6 15mm)for M6 Bolts</p>	<p>d x6</p>  <p>Fat Washers for M6 Bolts</p>
<p>e x2</p>  <p>Allen Key for M6 Bolts</p>	<p>f x1</p>  <p>Allen Key for M8 Bolts</p>	<p>g x4</p>  <p>Plastic Washer for Wooden Feet</p>	<p>Tools required</p> <p>Please check you have all these below</p>   <p>Tape measure Cross head screwdriver</p>



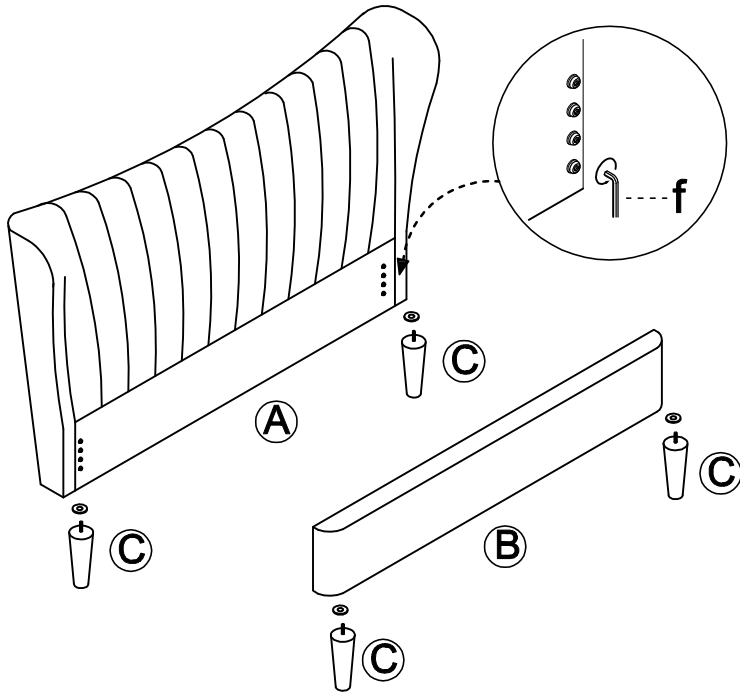
Bed assembly - use pack 'B'

1

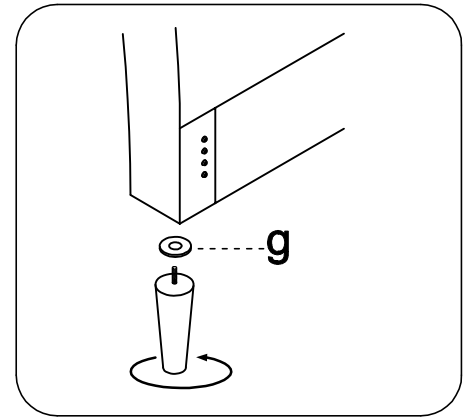
f  x1 g  x4



Note: Leave 10 mm protruding as in the diagram



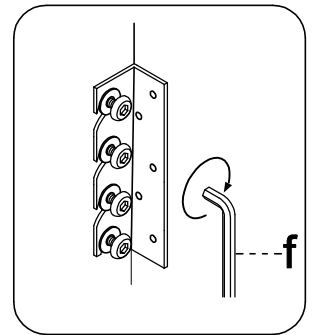
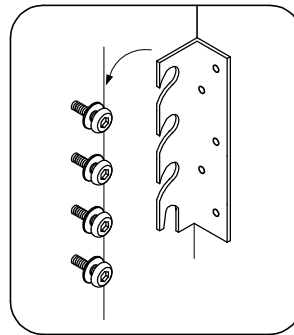
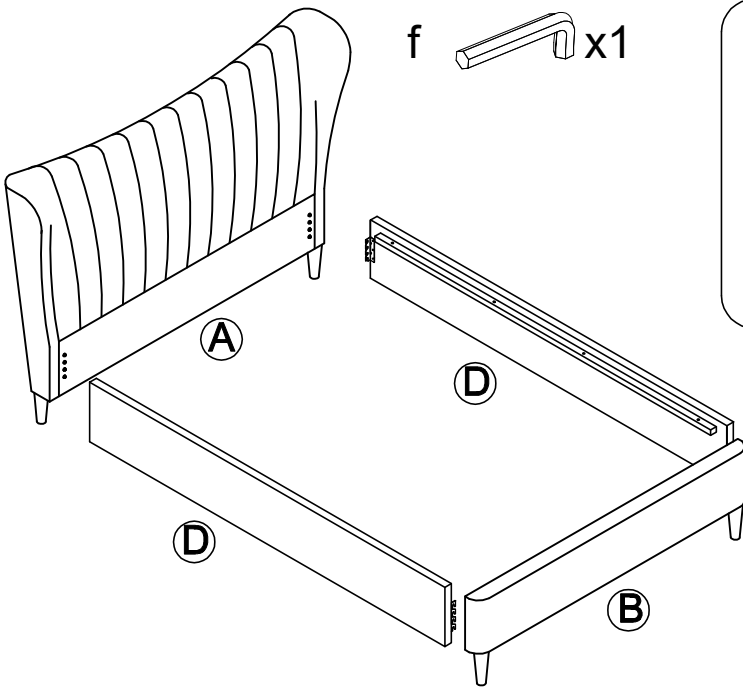
Loosen the pre-assembled bolts on the headboard and footboard with the Allen Key (f)



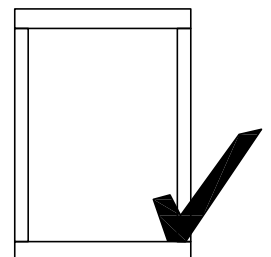
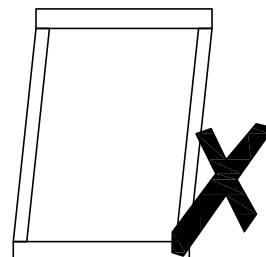
Attach the Wooden Feet to the headboard and footboard by using Plastic Washer (g) .

2

f  x1



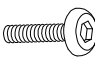

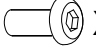


Attach the side rails to the headboard and footboard using Allen key (f)

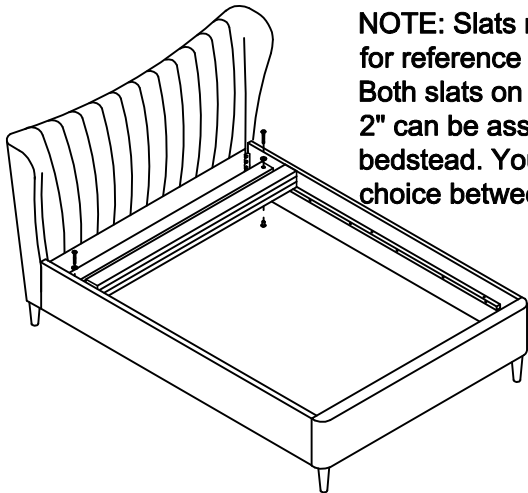


MAKE CERTAIN THE BED IS SQUARED UP .AS SHOWN ON THE RIGHT. Once all four comers are located. make sure the bed is still square as in the sketch.then tighten all the bolts 100% using Allen key (f).

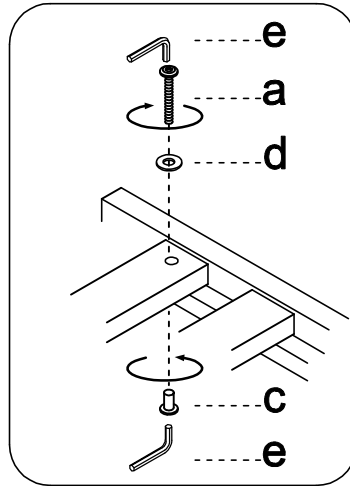
Bethany Bed - Assembly Guide

Fitting slat frame - use pack 'E'

- 3a** a  x6 b  x1 c  x6 d  x6 e  x6



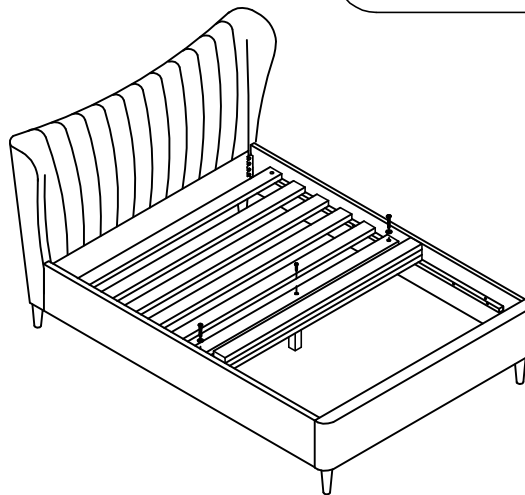
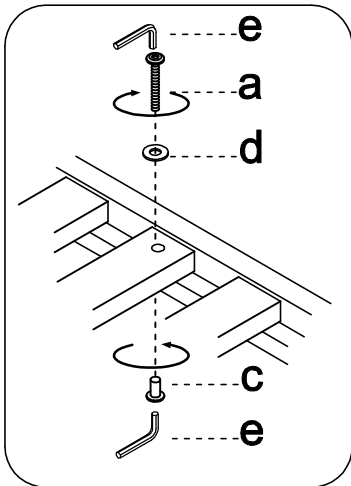
NOTE: Slats not supplied shown for reference only. Both slats on "step 1" and "step 2" can be assembled to the bedstead. You can make a choice between the two slats.



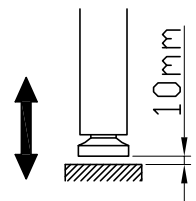
OPTION "A":
FIXED WOOD SLATS

Carefully locate the slat onto the unit. Fix one end of slats.

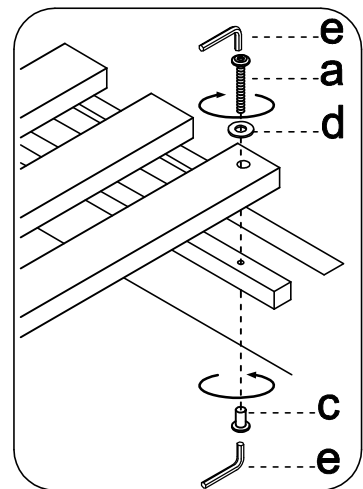
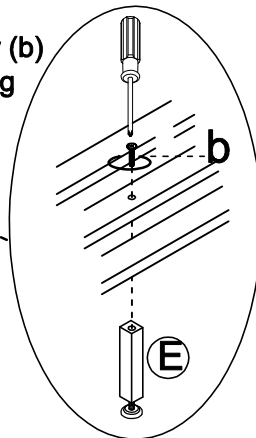
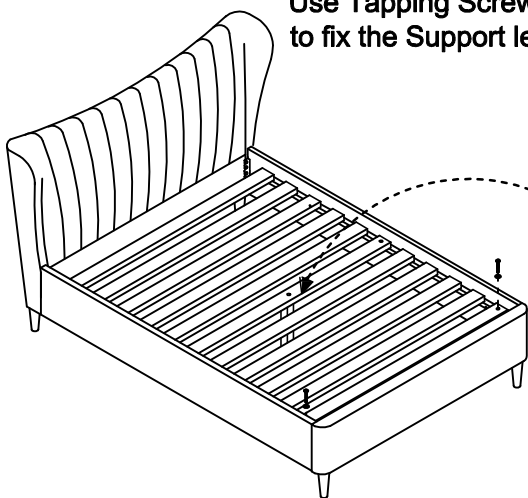
Use bolt (a), Washer (d) and JCN nut (c) to fix the unit using Allen Key (e).



By hand insert adjustable feet into each support leg by turning clockwise.



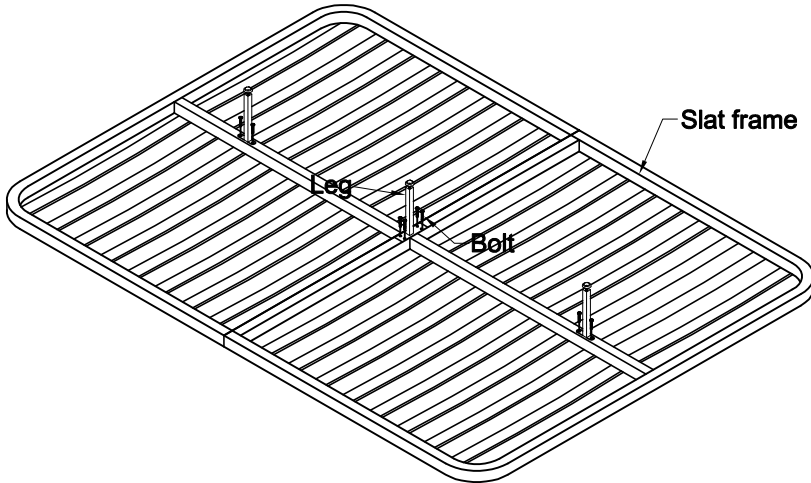
Use Tapping Screw (b) to fix the Support leg



Fitting slat frame

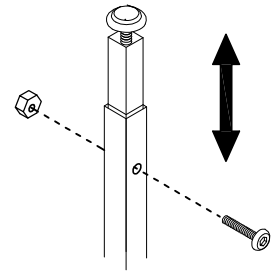
3b

- a  x6 c  x6 d  x6 e  x6



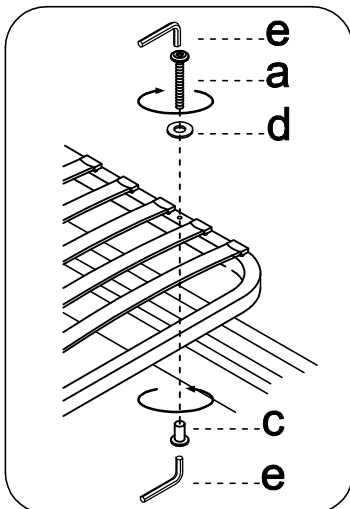
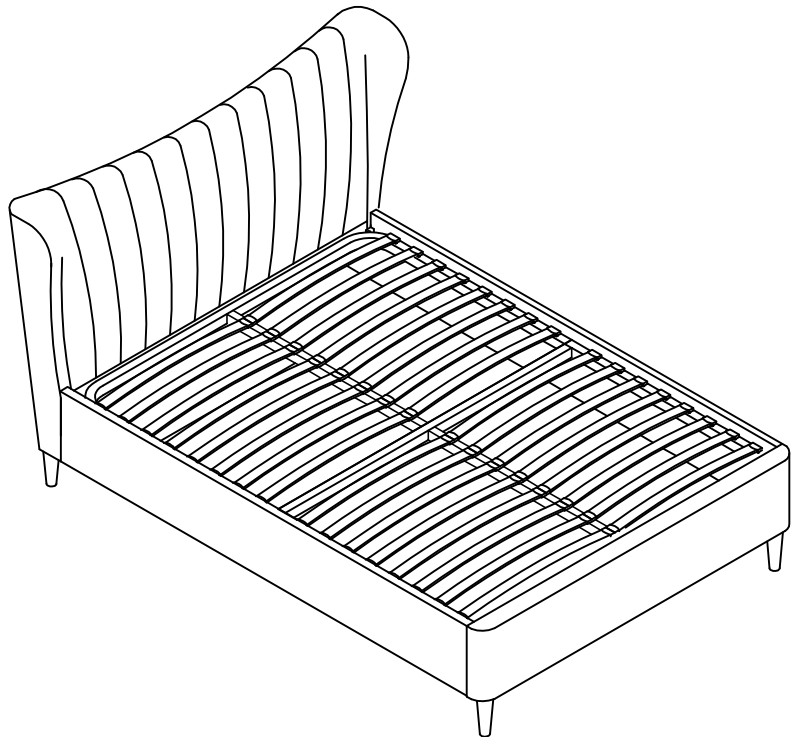
OPTION "B": SPRUNG SLATS

Use the bolt to fix support leg onto the slat frame. Please note that these bolts are to be found inside the slat frame box.



Carefully locate the slats onto the unit.

Use bolt (a), Washer (d) and JCN nut (c) to fix the unit using Allen Key (e)



Care and maintenance

Here are some tips to keep your new bed in tip-top condition



Cleaning

To clean your new bed, we'd advise using a warm damp cloth or if fabric, remove dust using a low suction vacuum cleaner - please do not use abrasive chemicals or bleach as this may damage the product.



Checking and moving

Periodically we recommend you check that the screws or fixtures haven't become loose, over time. To move your new bed, we recommend lifting it where possible, as dragging or pushing it could cause damage to your flooring.



Wood

Please note each of our wooden pieces are unique, meaning that markings and shade can vary slightly between beds. Over a period of time, the wood might lighten or fade slightly due to light exposure.



Fabric

Please note depending on the lighting, positioning and surroundings of your room, the shade of the colour can sometimes appear slightly different. Over a period of time the colour might lighten or fade slightly due to light exposure.



Metal

Metal tends to be more resilient to everyday wear and tear. We recommend to gently dust your metal furniture and keep it dry to maintain its look.

Thank you for shopping with us - we hope you have a great night's sleep

Sleep well

feather&black